

**JOB #**

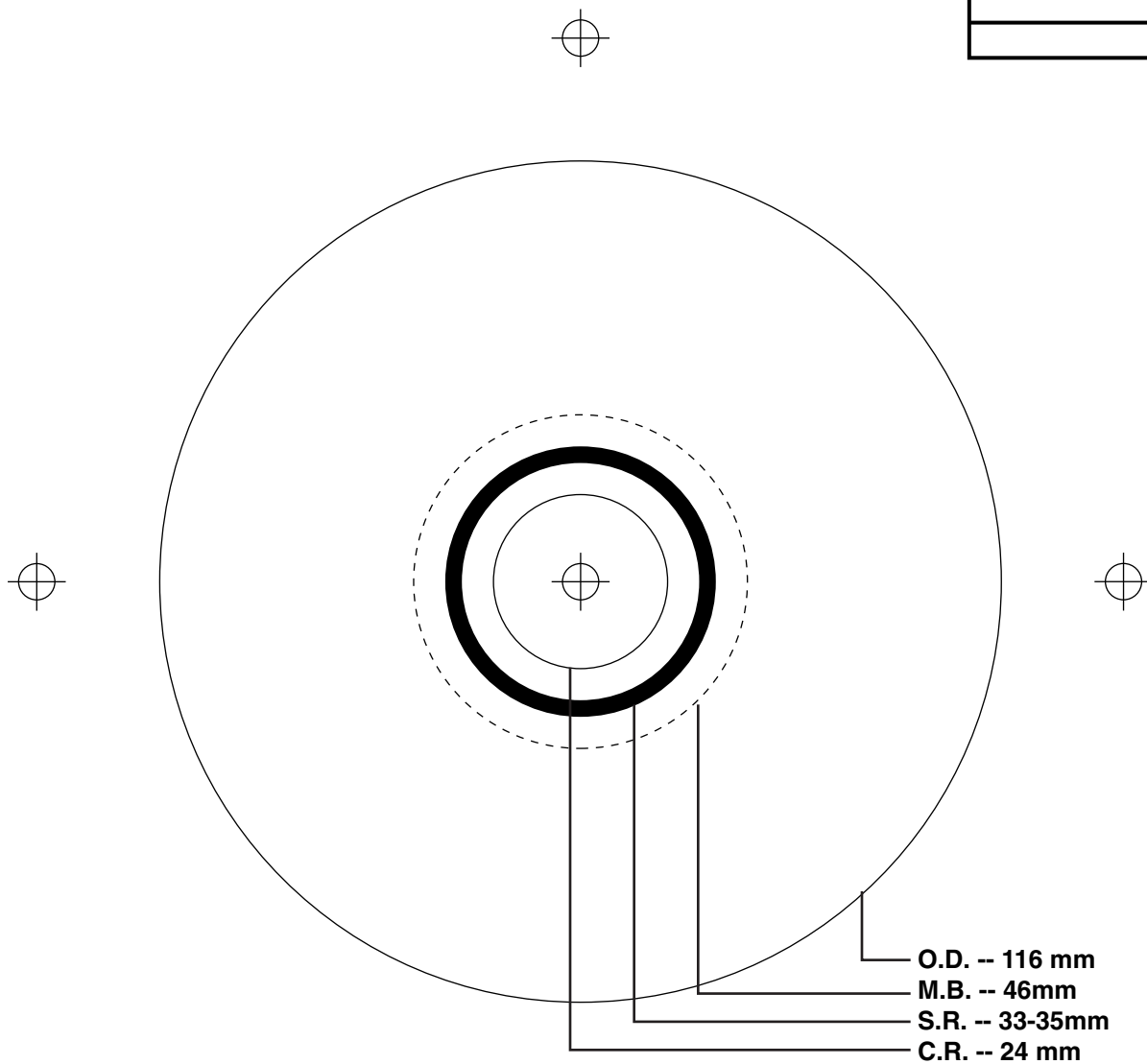
**DATE:**

**COLORS:**

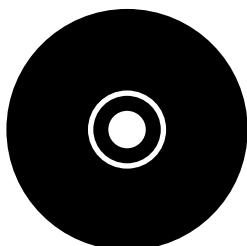
- APPROVED AS IS
- APPROVED WITH CHANGES
- MAKE CHANGES AND REPROOF

**SIGNATURE:**

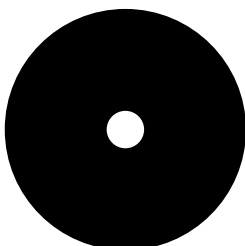
# CypressMedia



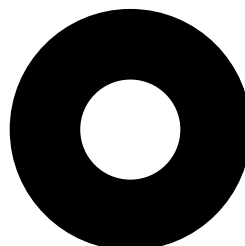
CD/CD-R/DVD-R  
Printable Area



CD/DVD  
Printable Area



CD Thermal  
Printable Area



CD Label  
Printable Area

